

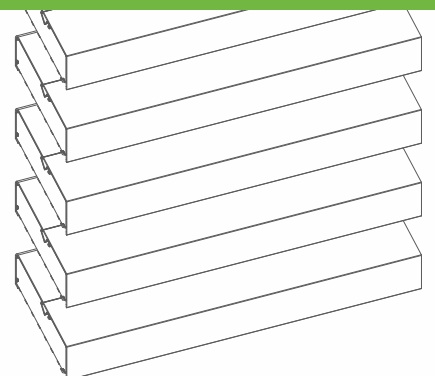


SOLAR SHADING

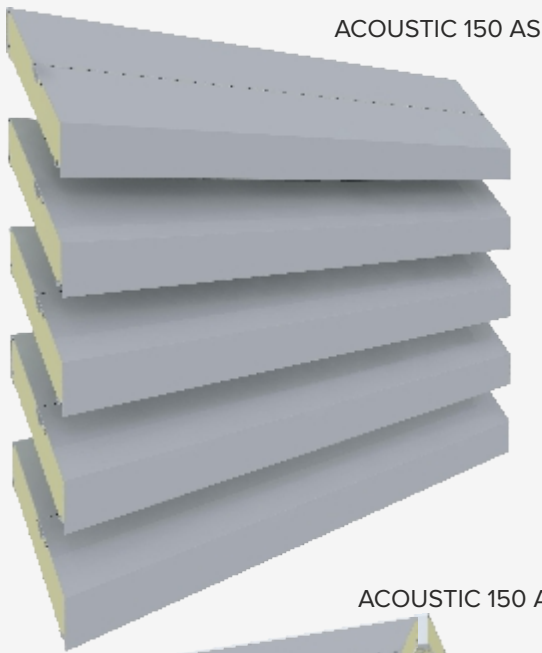


The SYBA solar shading company is an enthusiastic supporter of environmental protection. We pay attention our environment in all our woerk process.

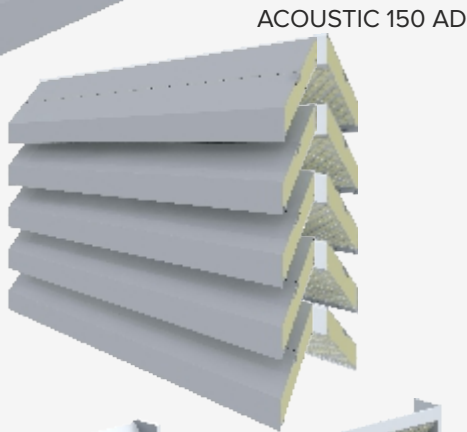
# ACOUSTIC NOISE REDUCTION LOUVRE



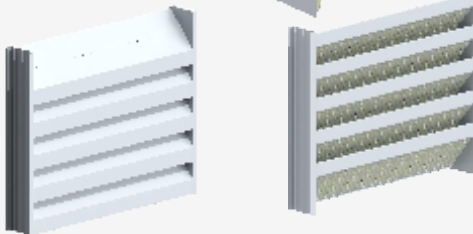
# ACOUSTIC NOISE REDUCTION LOUVRE



ACOUSTIC 150 AS



ACOUSTIC 150 AD

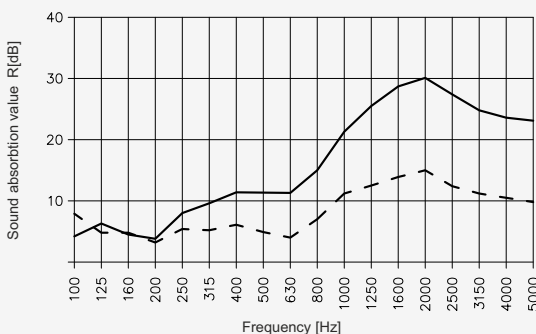


In the planning phase of mechanical units of the buildings, arise the demand of covering individual elements and the reduction of noises coming to the outside world. At the same time, the it is also important to ensure the necessary air mass volume.

SYBA Acoustic noise reduction wall louvres offers obvious solutions. An ideal, aesthetic and timeless solution to cover building engineering elements, while ventilation is ensured. The lamellas and the frame that receive them are made of extruded aluminum profile. The structure surface is powdered coated according to RAL color scale.

The louvre can be easily matched to the facade. The brackets, holding the slats are vertical and can also be placed in a horizontal plane. The lamellar wall thickness 150 and 300 mm, height can be changed in steps of 150 mm. The wall self-weight for 150 mm version 18 kg/m<sup>2</sup>, 300 mm version 36 kg/sqm. The vertical supports maximum distance can be 3 m! The sound reduction material is Rockwool Airrock HD.

The SYBA Acoustic 150AS and Acoustic 150 AD lamellar noise reduction walls were measured with certified instruments.



Weighted noise reduction value  
**Acoustic 150A S:  $R_w(C; C_{tr})=10(-1;-2)$  dB** - - -  
**Acoustic 150A D:  $R_w(C; C_{tr})=17(-1;-4)$  dB** ———



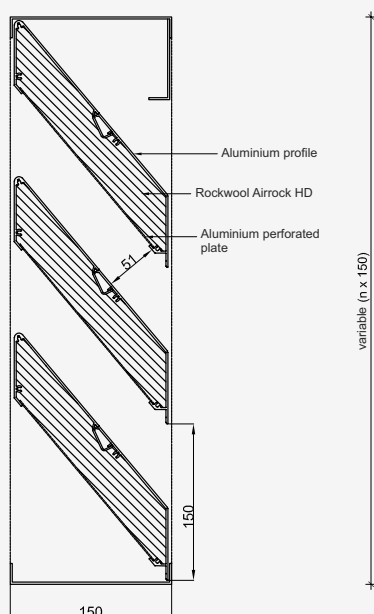
An ideal, aesthetic and timeless solution to cover building engineering elements, while ventilation is ensured.

lamella							physical free area		noise reduction	frame			fixing		weight
name	type	ID	width X (mm)	height Y (mm)	pitch C (mm)	length (mm)	visual	physical	Rw db	width X (mm)	height Y (mm)	ID	cantileverness max. (mm)	support span max. (mm)	self weight kg/m <sup>2</sup>
150AS	Acoustic	14170+ 14171	150	235 + (nx150)	150	6000	68%	35%	10 (-1;-2) dB	-	-	-	-	4000	18
150AD	Acoustic	14170+ 14171	300	235 + (nx150)	150	6000	68%	35%	17 (-1;-4) dB	-	-	-	-	4000	36

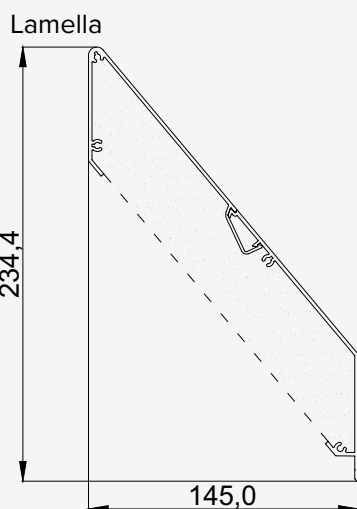
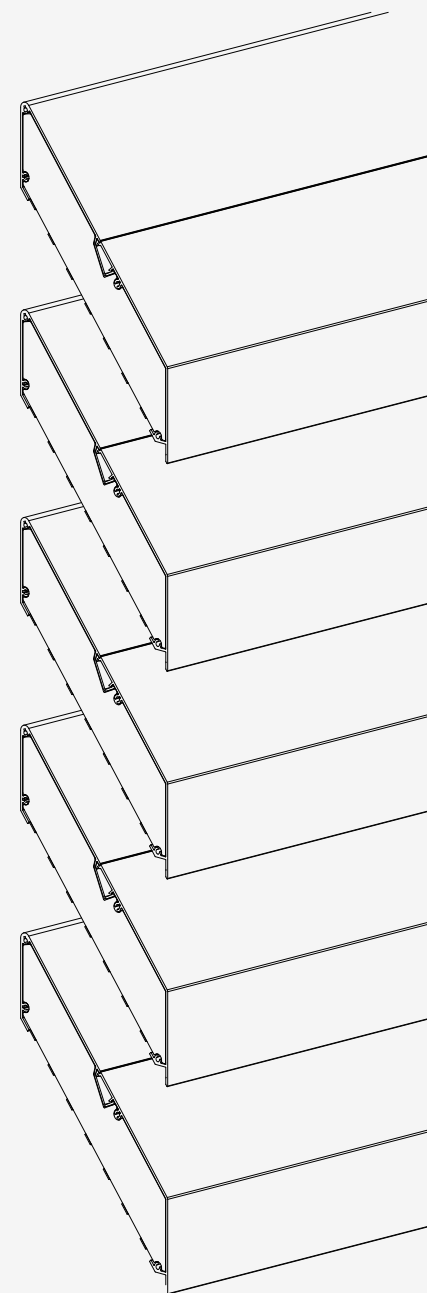
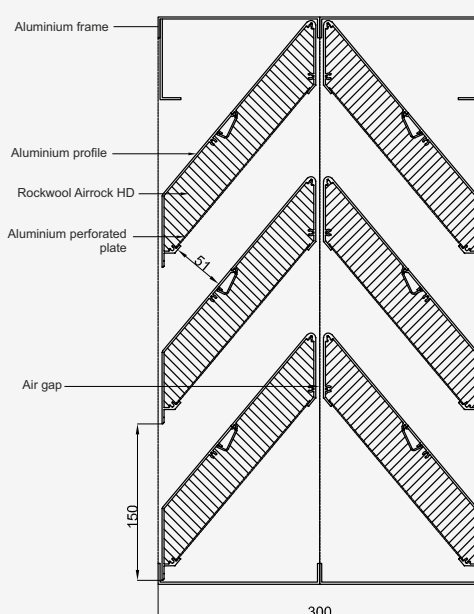
# ACOUSTIC NOISE REDUCTION LOUVRE



**ACOUSTIC 150 AS**



**ACOUSTIC 150 AD**



SIZE	150 mm or 300 mm panels, height steps with 150 mm
SHAPE	Double part, single wall, linear shape with bolt thread
MATERIAL	Aluminium AlMgSi0,5 F22, aluminium perforated plate
SURFACE THREATMENT	Standard RAL scale based powder coating
FRAME	1550 mm wide aluminium U profiled frame
NOISE INSULATION	Rockwool Airrock HD
FIXING	With bolts



# ACOUSTIC



SOLAR SHADING

